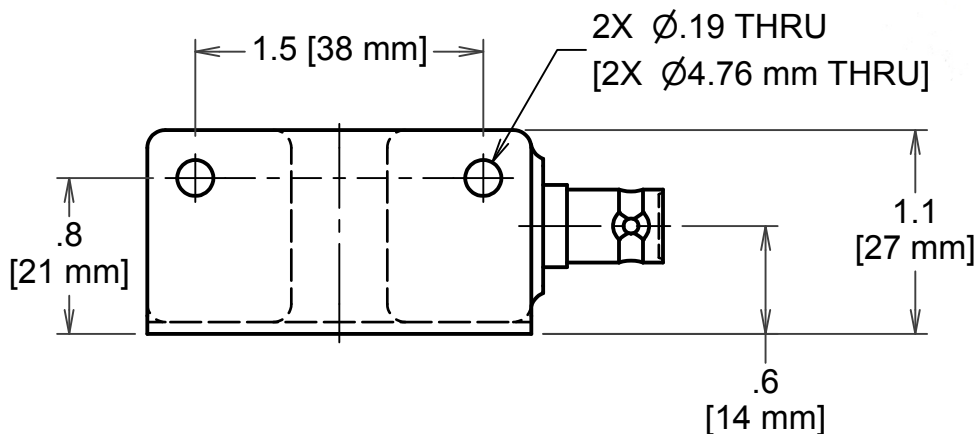
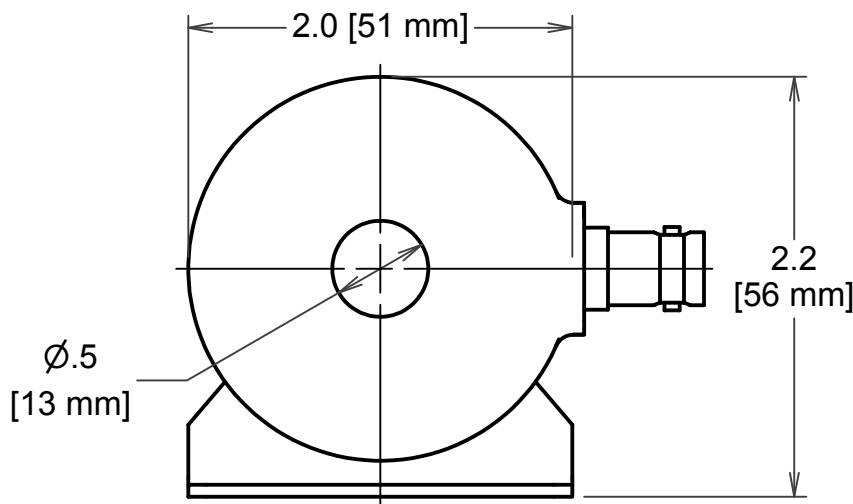


STANGENES INDUSTRIES CT 0.5 PULSE CURRENT TRANSFORMERS



Model Number	Output (volt/amp) ±0.5%	Maximum Current (amperes)		Square Pulse Characteristics			Sine-Wave Characteristics Approx. -3dB Point			RF Coaxial Jack
		Peak	RMS	Rise Time (nanosec.)	Drop (%/μs)	τ max. (amp-sec)	Low (Hz)	High (MHz)	I/F (peak A/HZ)	
0.5-1.0-R	1.0	500	7	10	0.1	0.002 *	110	40	0.01	Type BNC
0.5-0.1-R	0.1	5000	30	10	0.005	0.02 *	10	60	0.10	Type BNC
0.5-0.05-R	0.05	10000	70	20	0.06	0.8	10	50	0.2	Type BNC
0.5-0.01-R	0.01	50000	100	20	0.0005	0.2 *	1	15	1.0	Type BNC

Specifications for transformation ratio, accuracy and droop are for a high impedance load.

Rise time and bandwidth are when terminated with 50 ohms.

All models are electrostatically shielded and have a 50 ohm output impedance.

Approximate weight: 0.42 Lbs. [188 g]

We design and manufacture custom configurations in addition to the above. Contact the factory with your needs.

RoHS 2002/95/EC compliant.

* May need a small bias current through secondary for maximum rating.

STANGENES INDUSTRIES INCORPORATED

The Best in High Voltage Systems & Electromagnetic Components

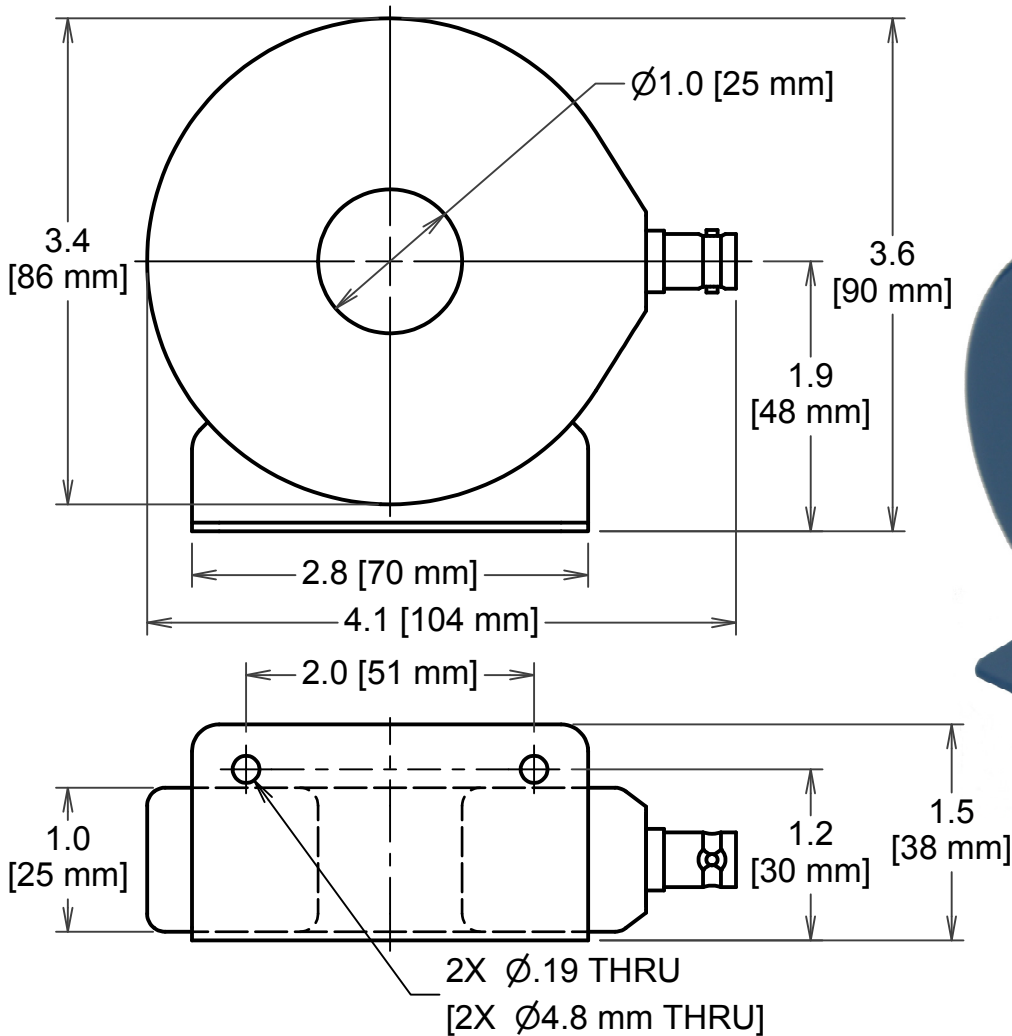
1052 East Meadow Circle, Palo Alto, CA, U.S.A. 94303

TEL: 650-493-0814 FAX: 650-855-9962 E-mail: info@stangenes.com

www.stangenes.com



STANGENES INDUSTRIES CT 1.0 PULSE CURRENT TRANSFORMERS



Model Number	Output (volt/amp) $\pm 0.5\%$	Maximum Current (amperes)		Square Pulse Characteristics			Sine-Wave Characteristics			RF Coaxial Jack
		Peak	RMS	Rise Time (nanosec.)	Drop (%) / μs	$I \tau$ max. (amp-sec)	Approx. -3dB Point			
							Low (Hz)	High (MHz)	I/F (peak A/Hz)	
1-1.0-R	1.0	500	7	20	0.1	0.006 *	130	30	0.02	Type BNC
1-0.1-R	0.1	5000	30	20	0.01	0.06 *	7	25	0.2	Type BNC

Specifications for transformation ratio, accuracy and droop are for a high impedance load.

Rise time and bandwidth are when terminated with 50 ohms.

All models are electrostatically shielded and have a 50 ohm output impedance.

Approximate weight: 0.93 Lbs. [0,42 kg]

We design and manufacture custom configurations in addition to the above. Contact the factory with your needs.

RoHS 2002/95/EC compliant.

* May need a small bias current through secondary for maximum rating.

STANGENES INDUSTRIES INCORPORATED

The Best in High Voltage Systems & Electromagnetic Components

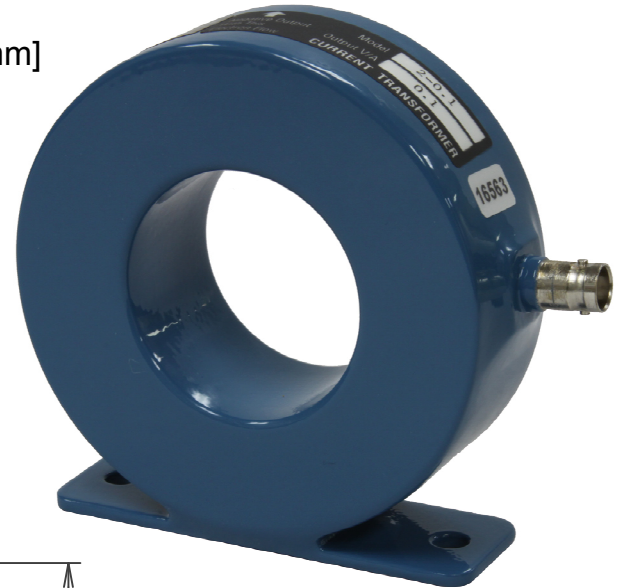
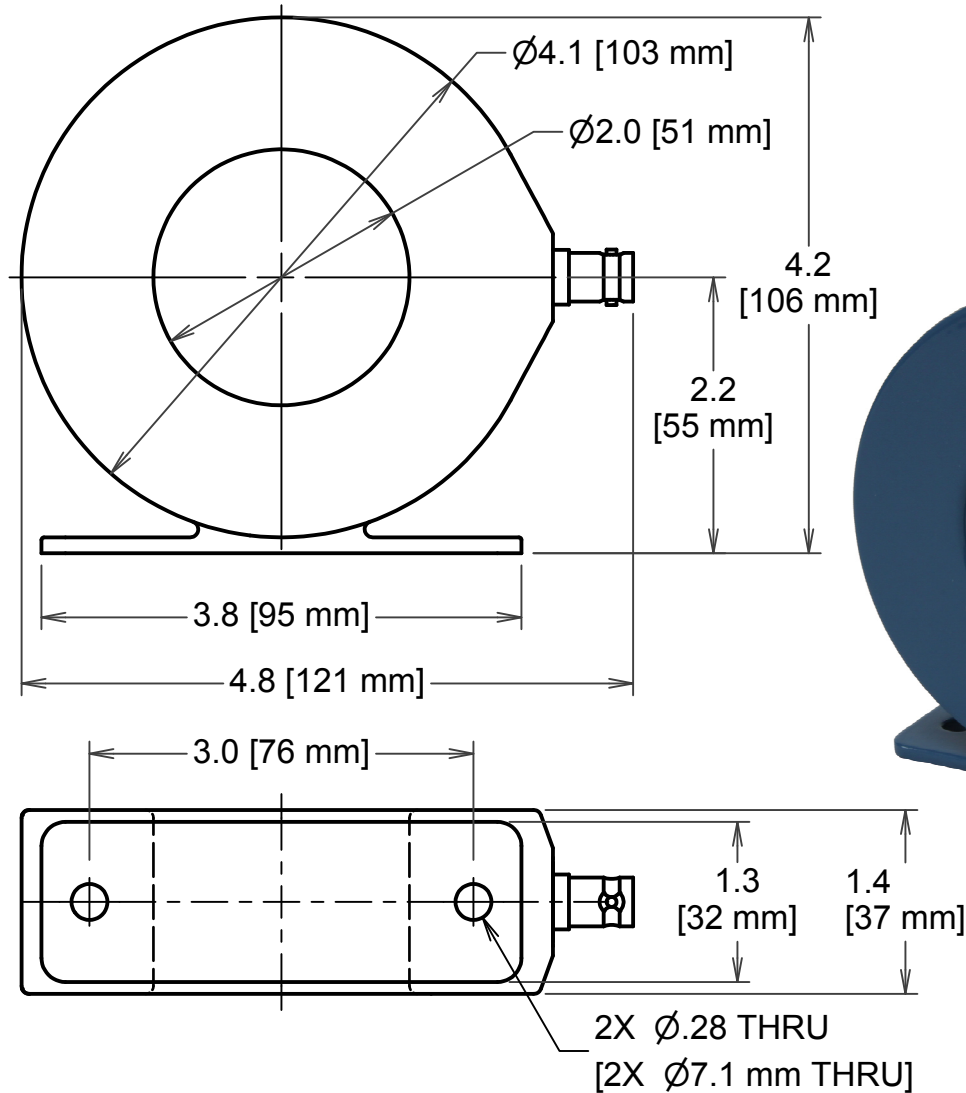
1052 East Meadow Circle, Palo Alto, CA, U.S.A. 94303

TEL: 650-493-0814 FAX: 650-855-9962 E-mail: info@stangenes.com

www.stangenes.com



STANGENES INDUSTRIES CT 2.0 PULSE CURRENT TRANSFORMERS



Model Number	Output (volt/amp) $\pm 0.5\%$	Maximum Current (amperes)		Square Pulse Characteristics			Sine-Wave Characteristics Approx. -3dB Point			RF Coaxial Jack
		Peak	RMS	Rise Time (nanosec.)	Drop (%) / μs	$I \tau$ max. (amp-sec)	Low (Hz)	High (MHz)	I/F (peak A/Hz)	
2-1.0-R	1.0	500	7	20	0.05	0.006 *	66	30	0.025	Type BNC
2-0.1-R	0.1	5000	30	20	0.005	0.06 *	7	25	0.25	Type BNC

Specifications for transformation ratio, accuracy and droop are for a high impedance load.

Rise time and bandwidth are when terminated with 50 ohms.

All models are electrostatically shielded and have a 50 ohm output impedance.

Approximate weight: 1.56 Lbs. [0,7 kg]

We design and manufacture custom configurations in addition to the above. Contact the factory with your needs.

RoHS 2002/95/EC compliant.

* May need a small bias current through secondary for maximum rating.

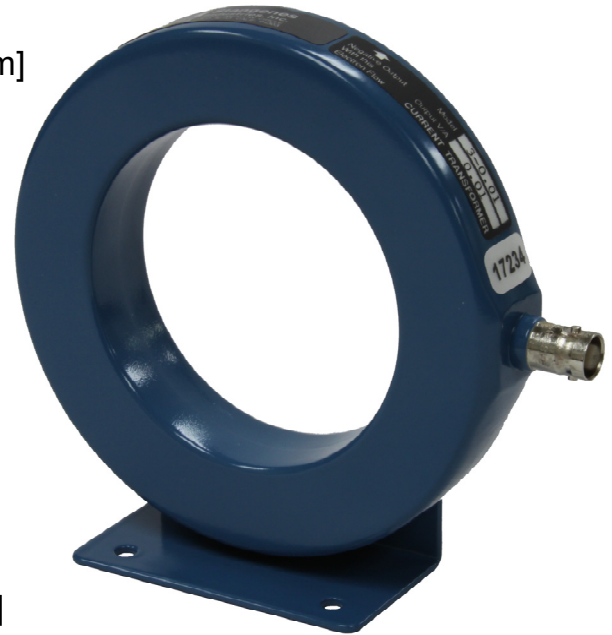
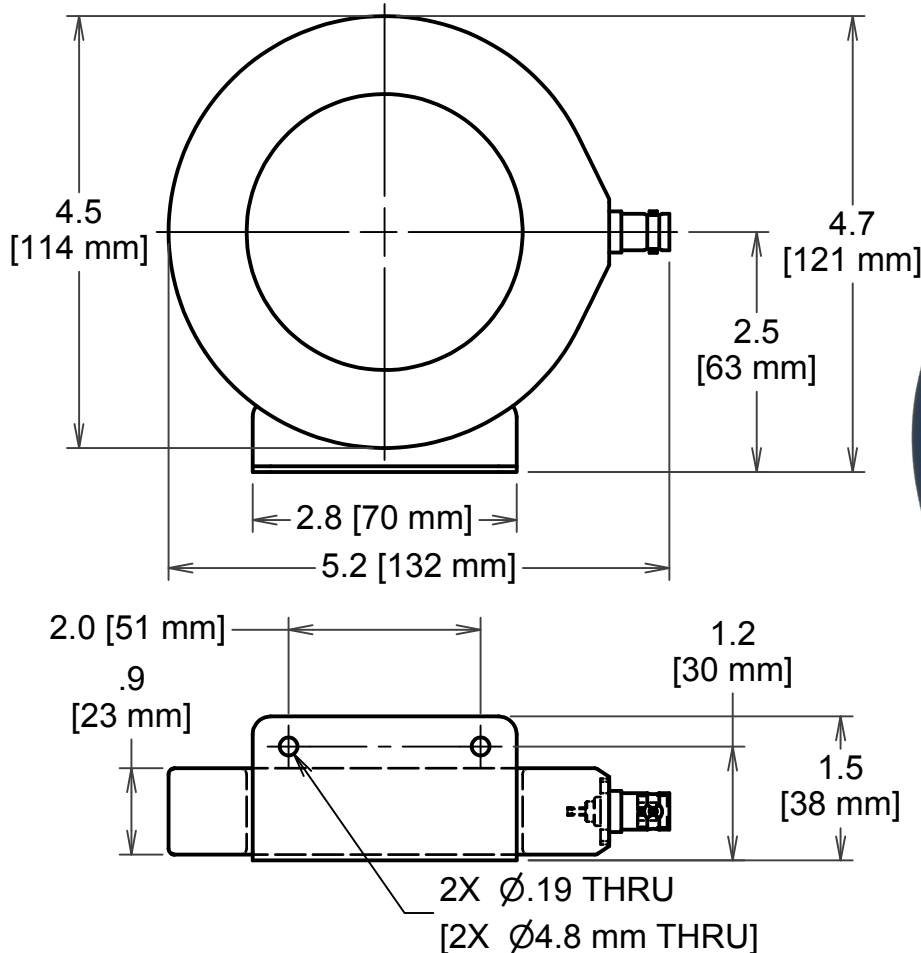
STANGENES INDUSTRIES INCORPORATED

The Best in High Voltage Systems & Electromagnetic Components
1052 East Meadow Circle, Palo Alto, CA, U.S.A. 94303

TEL: 650-493-0814 FAX: 650-855-9962 E-mail: info@stangenes.com
www.stangenes.com



STANGENES INDUSTRIES CT 3.0 PULSE CURRENT TRANSFORMERS



Model Number	Output (volt/amp) ±0.5%	Maximum Current (amperes)		Square Pulse Characteristics			Sine-Wave Characteristics			RF Coaxial Jack
		Peak	RMS	Rise Time (nanosec.)	Drop (%) / μs	I τ max. (amp-sec)	Approx. -3dB Point	Low (Hz)	High (MHz)	
3-1.0-R	1.0	500	7	20	0.2	0.002 *	320	56	0.013	Type BNC
3-0.5-R	0.5	1000	10	20	0.05	0.004 *	100	30	0.025	Type BNC
3-0.1-R	0.1	5000	30	20	0.35	0.1	1750	26	0.5	Type BNC
3-0.1A-R	0.1	5000	30	20	0.015	0.03	100	30	0.11	Type BNC ‡
3-0.01-R	0.01	50000	100	20	0.02	1.0	60	17	5.0	Type BNC

Specifications for transformation ratio, accuracy and droop are for a high impedance load.

Rise time and bandwidth are when terminated with 50 ohms.

All models are electrostatically shielded and have a 50 ohm output impedance.

Approximate weight: 1.13 Lbs. [0,51 kg]

We design and manufacture custom configurations in addition to the above. Contact the factory with your needs.

RoHS 2002/95/EC compliant.

* May need a small bias current through secondary for maximum rating.

‡ Connector isolated from case.

STANGENES INDUSTRIES INCORPORATED

The Best in High Voltage Systems & Electromagnetic Components

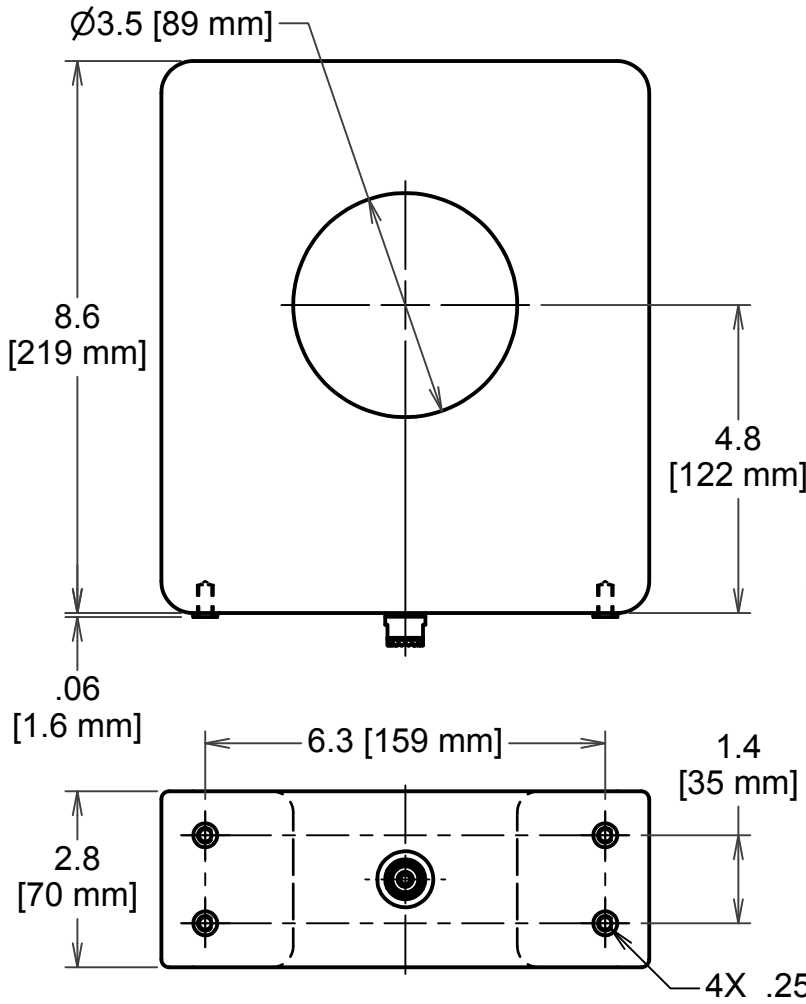
1052 East Meadow Circle, Palo Alto, CA, U.S.A. 94303

TEL: 650-493-0814 FAX: 650-855-9962 E-mail: info@stangenes.com

www.stangenes.com



STANGENES INDUSTRIES CT 3.5 PULSE CURRENT TRANSFORMERS



Model Number	Output (volt/amp) $\pm 0.5\%$	Maximum Current (amperes)		Square Pulse Characteristics			Sine-Wave Characteristics Approx. -3dB Point			RF Coaxial Jack
		Peak	RMS	Rise Time (nanosec.)	Drop (%) / μ s	$I \tau$ max. (amp-sec)	Low (Hz)	High (MHz)	I/F (peak A/Hz)	
3.5-1.0-R	1.0	500	7	50	0.01	0.03 *	10	10	0.2	Type UHF ‡
3.5-0.1-R	0.1	5000	70	50	0.02	0.65	20	10	10.0	Type UHF ‡
3.5-0.025-R	0.025	20000	200	100	0.003	10.0	6	4	50.0	Type UHF ‡
3.5-0.01-R	0.01	50000	400	200	0.003	22.0	2	2	160.0	Type UHF ‡
3.5-0.005A-R	0.005	200000	750	250	0.0005	40.0	1	1.5	420.0	Type C ‡
3.5-0.001-R	0.001	500000	1500	300	0.0002	80.0	.3	1	650.0	Type BNC ‡

Specifications for transformation ratio, accuracy and droop are for a high impedance load.

Approximate weight: 15.0 Lbs. [6,8 kg]

We design and manufacture custom configurations in addition to the above. Contact the factory with your needs.

RoHS 2002/95/EC compliant.

* May need a small bias current through secondary for maximum rating.

‡ Double shielded. Outer shield connected to mounting surface(s), inner shield connected to receptacle shell.

STANGENES INDUSTRIES INCORPORATED

The Best in High Voltage Systems & Electromagnetic Components
1052 East Meadow Circle, Palo Alto, CA, U.S.A. 94303

TEL: 650-493-0814 FAX: 650-855-9962 E-mail: info@stangenes.com
www.stangenes.com

